



Model No.	GD-PJS-32850
Schematic code	

SCHEMATIC

料号说明:

GD-PJS-32850

(1) (2) (3) (4) (5) (6) (7)

(1): 成品系列号.

(2): 电路类型: I

(3): 塑胶原材料:

LC=LCP

10=PA10T

(4): 塑胶颜色:

0A=黑色

(5): 端子电镀:

A=镀银10u"

(6): 定义项:

00=无指定

(7): 包装方式:

1=载带包装

Specification:

1. Rating : DC 30V 0.5A;

2. Contact resistance: $\leq 50m\Omega$;

After test: $\leq 100m\Omega$

3. Insulation resistance: $\geq 100M\Omega$ (500VDC);

After test: $\geq 50M\Omega$

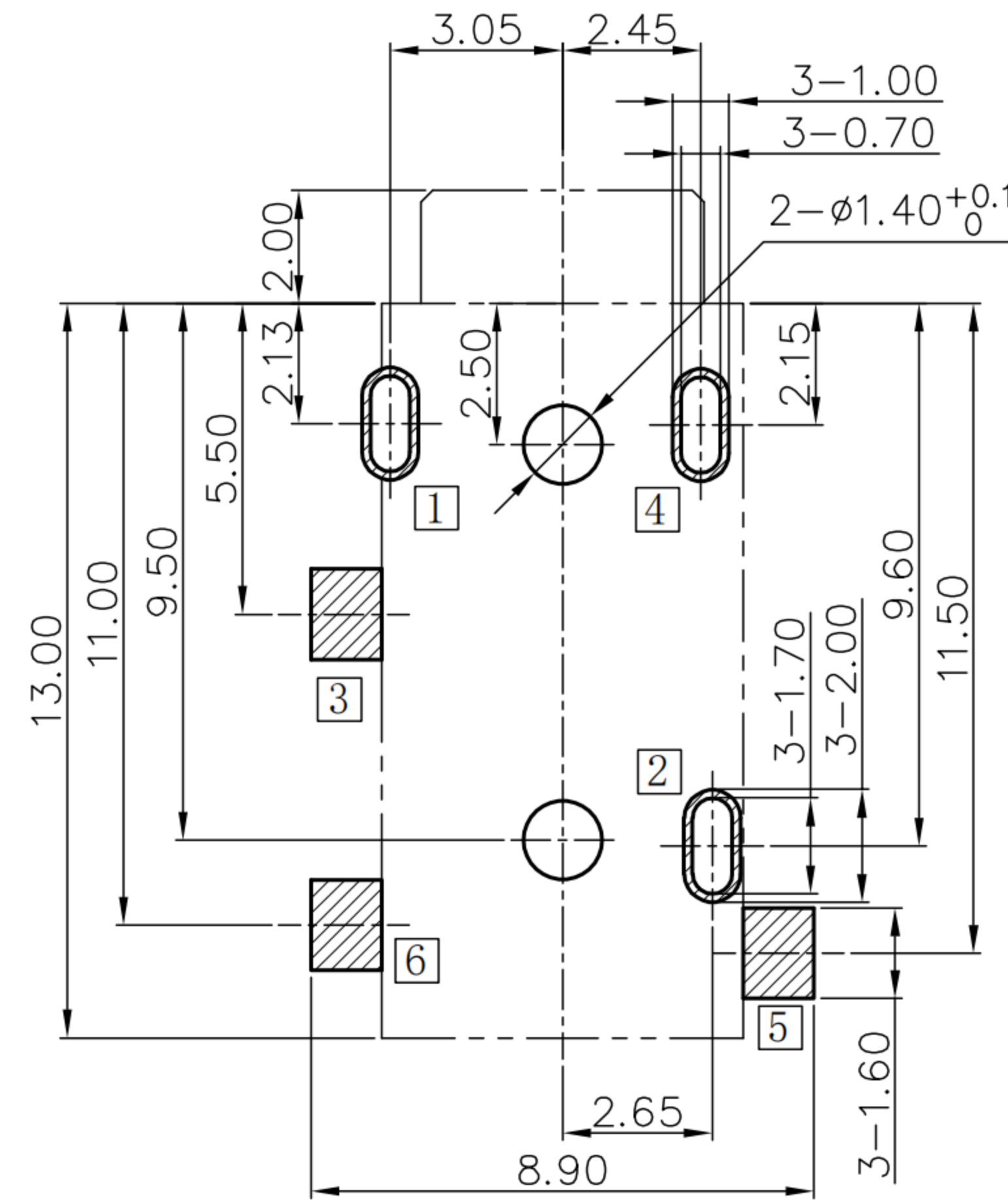
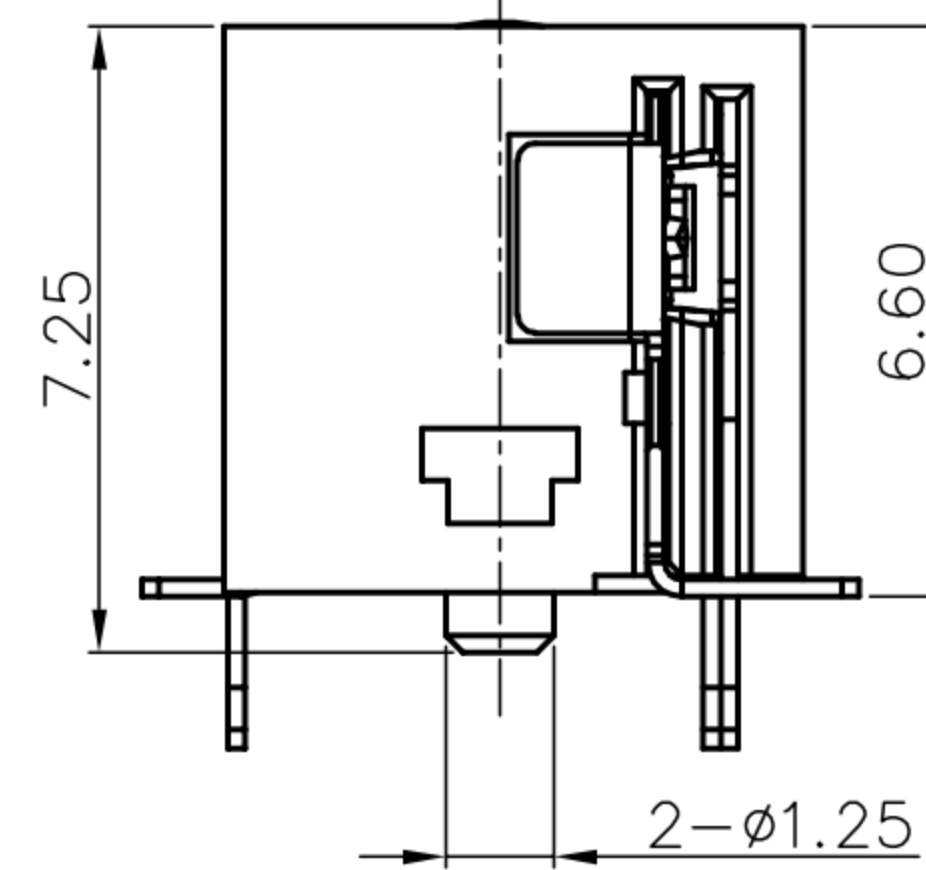
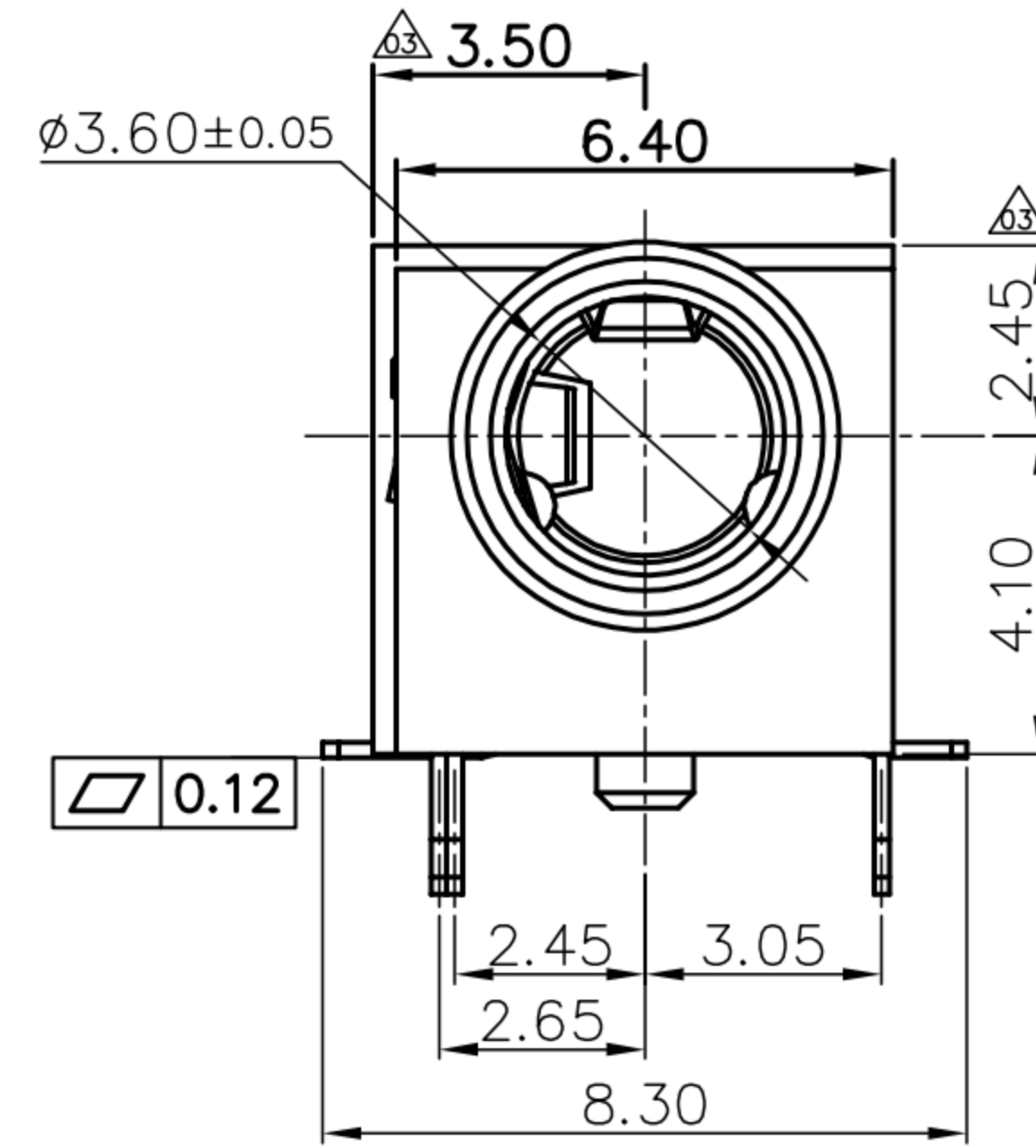
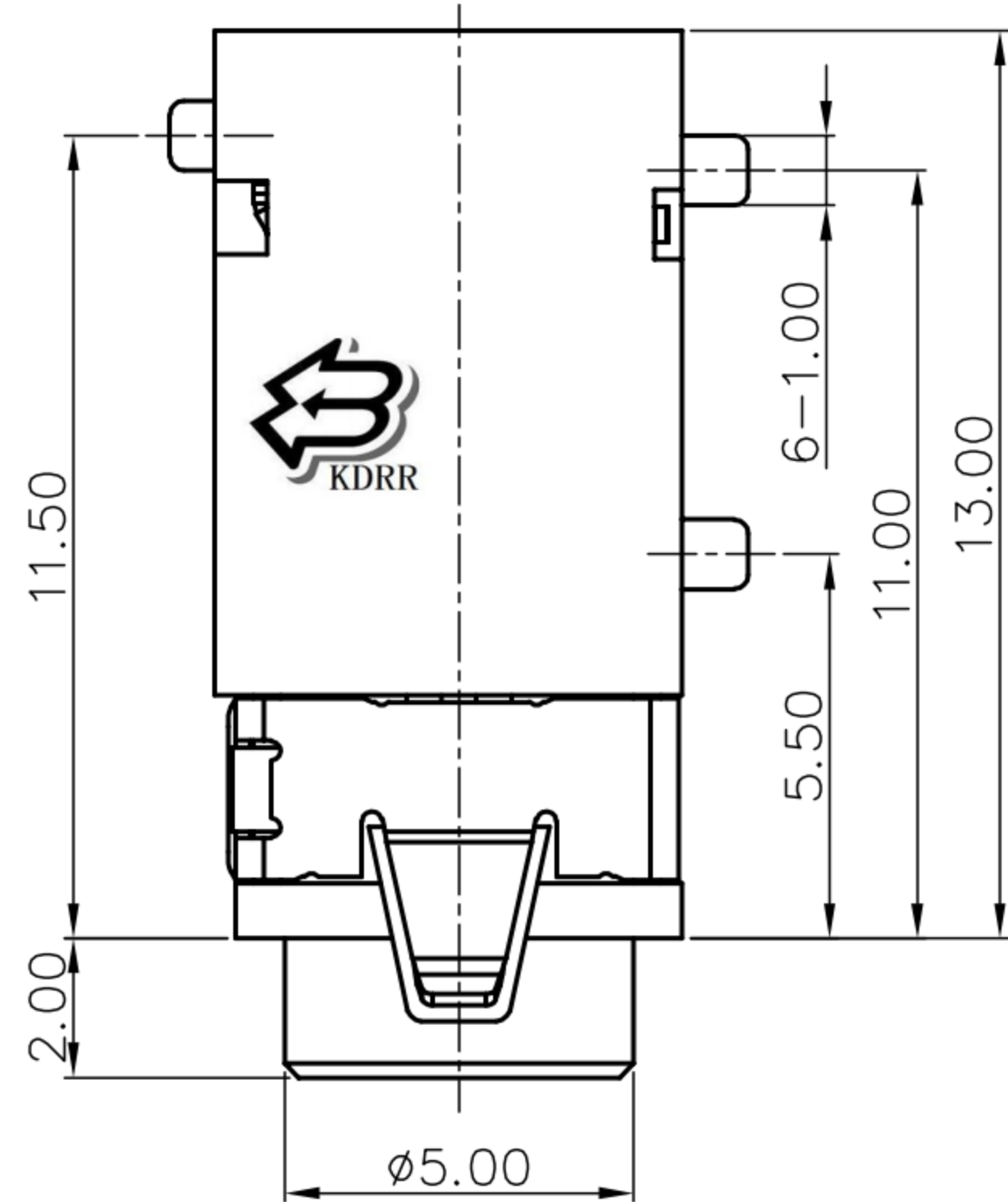
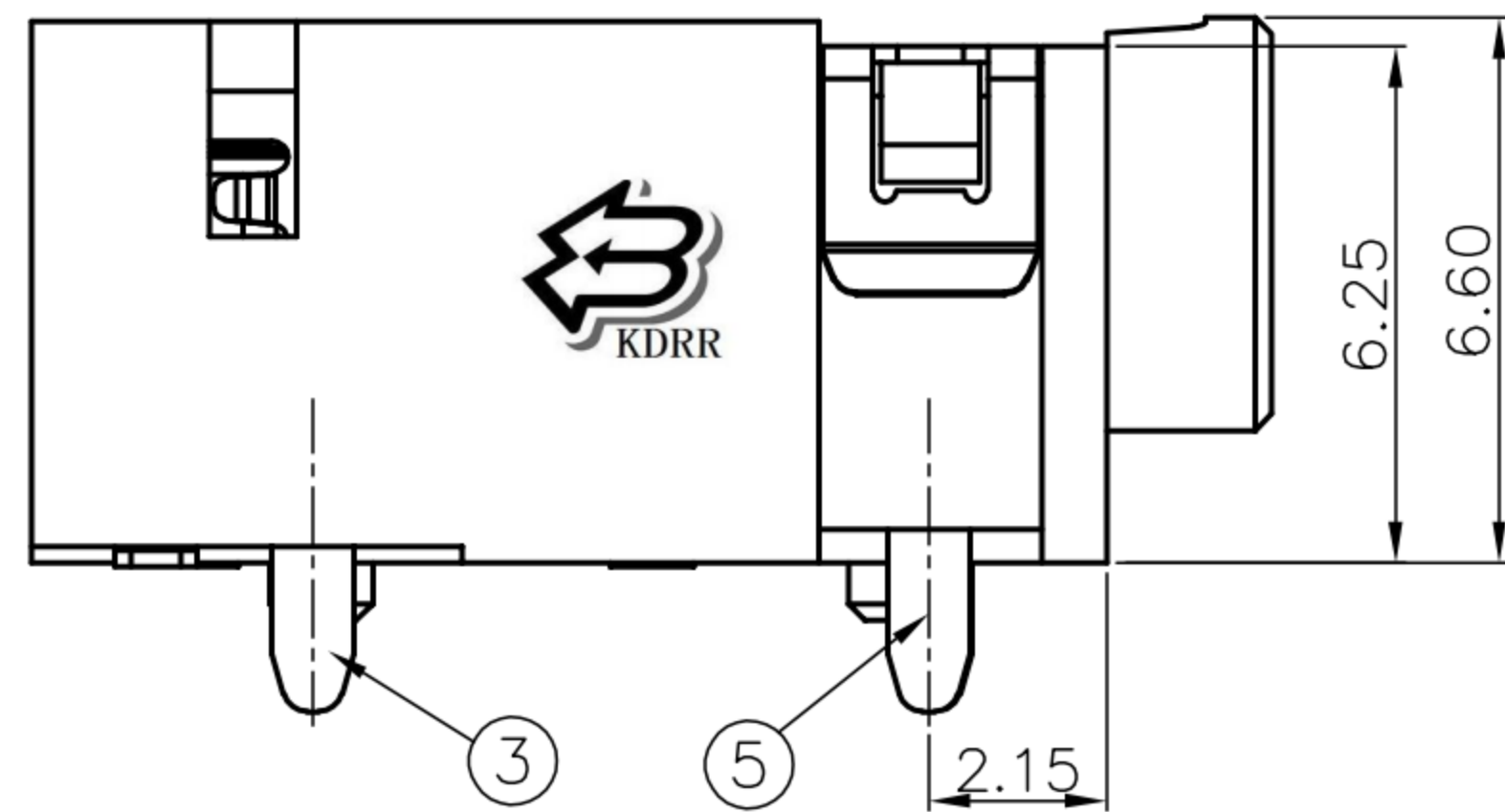
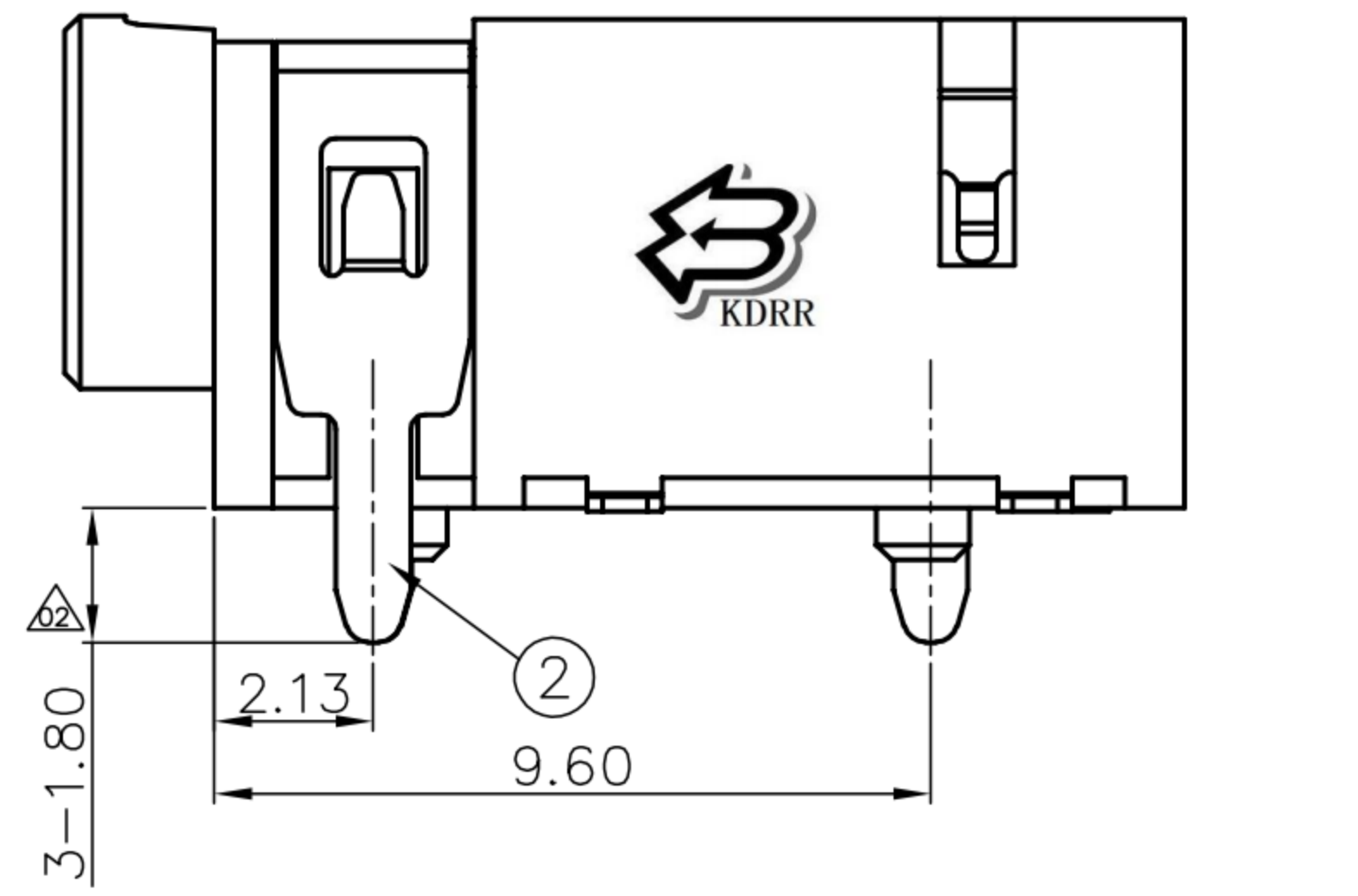
4. Withstand voltage: 500VAC ;

5. Insertion and extraction force: 3N~30N;

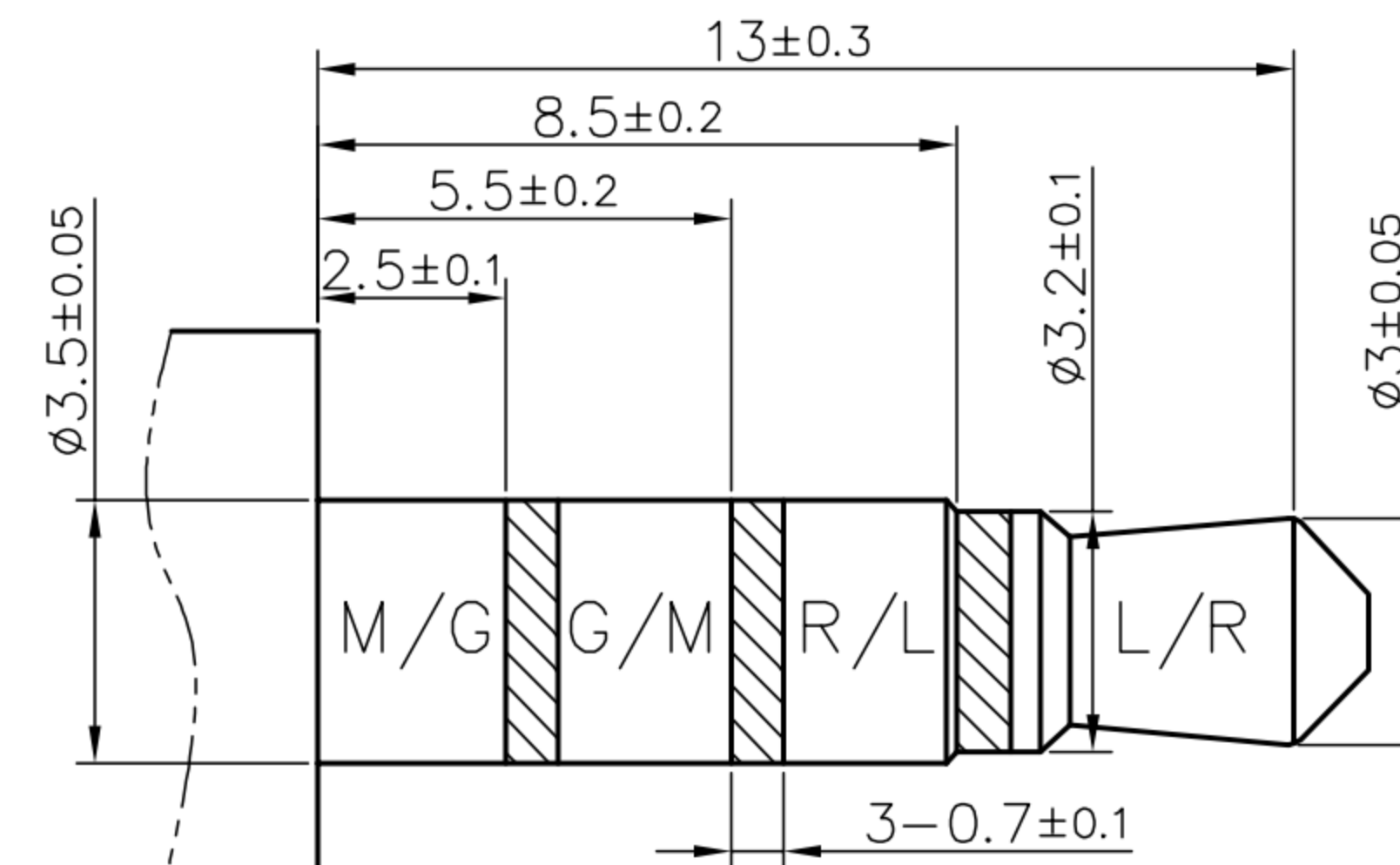
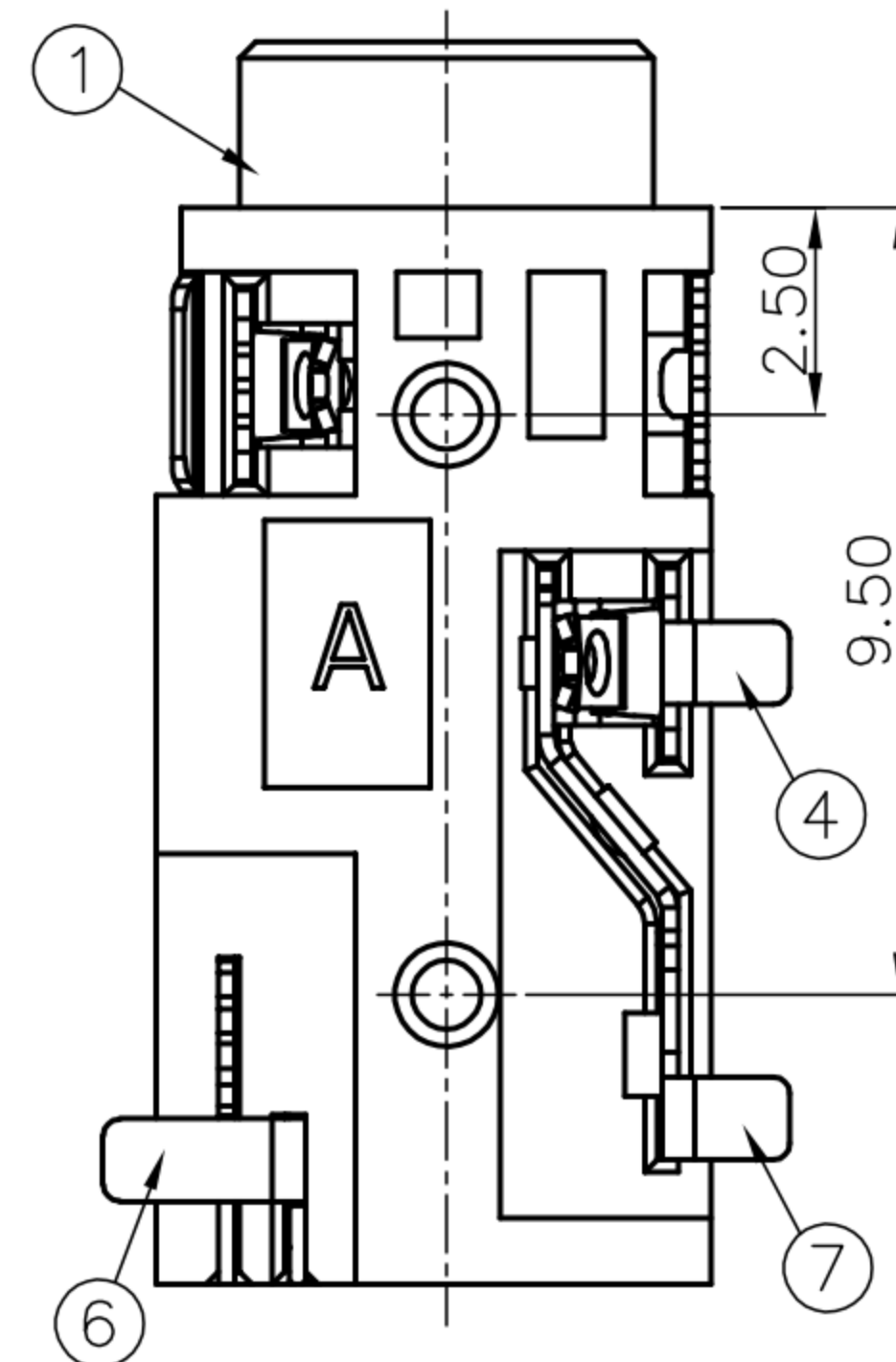
6. life test: 5000cycles min;

7. Operation temperature range: $-20^{\circ}C \sim 70^{\circ}C$;

8. Preservation temperature range: $-40^{\circ}C \sim 85^{\circ}C$;



P.C.B LAYOUT TOP VIEW



RECOMMENDED PLUG
3.5 4-POLE STANDARD PLUG

NO.	DESCRIPTION	Q'TY	MATERIAL	REMARK
7	Shunt terminal	6	1 Phosphor bronze t=0.20	1st: Ni40U" 2st: Ag10U" Min
6	Shunt terminal	5	1 Phosphor bronze t=0.20	
5	Ring B spring	4	1 Phosphor bronze t=0.20	
4	Ring A spring	3	1 Phosphor bronze t=0.20	
3	Tip spring	2	1 Phosphor bronze t=0.20	
2	Earth spring	1	1 Phosphor bronze t=0.20	
1	Housing	1	Hi-Tem. Thermoplastic	Black



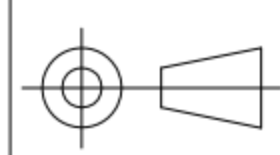
东莞市高迪电子有限公司

Dong Guan KDRR Electronic Switch Jack Co., Ltd.

TOLERANCE UNLESS
OTHERWISE STATED:

Up to 5 ±0.2
Above 5 ~ 15 ±0.3
Above 15 ~ 30 ±0.4
Above 30 ~ 50 ±0.5
Angle ±0.3°

3RD.
ANGEL'S



UNITS

MM

DRAWN BY:	DATE
Ming Ming Zou	6/8/23
CHECKED BY:	DATE
Ning Ning Su	6/8/23
APPROVED BY:	DATE
Jia Xiang	6/8/23

MAT'L	TITLE	JACK
FINISH	MODLE	PHONE JACK
SCALE	DWG NO.	GD-PJS-32850
SHEET NO.	PART NO.	
1 of 1		

ITEM NO.	DESCRIPTION	DRAWN	DATE
5	新增PLUG標號	Jack	052819
4	更新圖面	Jack	052419
3	新增3d上方圖	Jack	101918
2	更新圖面	Jack	092818
1	新增尺寸	Jack	070717

SIZE
A4
VER
R5